



SC1602D (16 CHARACTERS x 2 LINES)

■ FEATURES

- ◆ 5 x 7 DOTS WITH CURSOR
- ◆ BUILT-IN CONTROLLER (KS0066 OR EQUIVALENT)
- ◆ 5 V POWER SUPPLY
- ◆ 1/16 DUTY CYCLE
- ◆ 4.2 V LED FORWARD VOLTAGE

■ MECHANICAL DATA

ITEM	DIMENSIONS	UNIT
Module Size (W x H x T)	85.0 x 36.0 x 8.8 (12.7 LED)	mm
Viewing Area (W x H)	65.0 x 16.0	mm
Character Size (W x H)	2.96 x 5.56	mm
Character Pitch (W x H)	3.55 x 5.94	mm
Dot Size (W x H)	0.56 x 0.66	mm
Dot Pitch (W x H)	0.60 x 0.70	mm

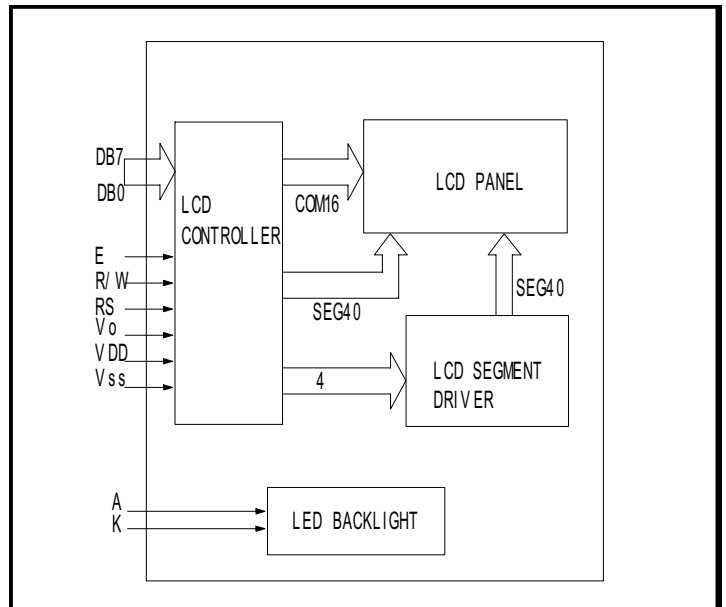
■ ELECTRICAL CHARACTERISTICS

ITEM	SYMBOL	CONDITION	MIN.	TYP.	MAX.	UNIT
LCD Operating Voltage	V_{DD-Vo}	$T=0^{\circ}C$	-	4.8	-	V
		$T=25^{\circ}C$	-	4.5	-	V
		$T=50^{\circ}C$	-	4.2	-	V
Supply Voltage	V_{DD-Vss}	-	4.7	5	5.3	V
Supply Current	I_{DD}	-	-	2	4	mA
Input Voltage	"HIGH" Level	V_{IH}	-	2.2	-	V_{DD} V
	"LOW" Level	V_{IL}	-	0	-	0.6 V
Output Voltage	"HIGH" Level	V_{OH}	-	2.4	-	V
	"LOW" Level	V_{OL}	-	-	-	0.4 V

■ INTERFACE PIN CONNECTIONS

NO.	SYMBOL	FUNCTION	NO.	SYMBOL	FUNCTION
1	V_{SS}	Supply Ground	9	DB2	Data Bit 2
2	V_{DD}	Supply Voltage	10	DB3	Data Bit 3
3	V_o	Contrast Adj.	11	DB4	Data Bit 4
4	RS	Register Select	12	DB5	Data Bit 5
5	R/W	Read/Write	13	DB6	Data Bit 6
6	E	Enable Signal	14	DB7	Data Bit 7
7	DB0	Data Bit 0	15	A	LED Power
8	DB1	Data Bit 1	16	K	LED Power

■ BLOCK DIAGRAM



■ EXTERNAL DIMENSIONS

